

N-Channel 20-V(D-S) MOSFET

V(BR)DSS	RDS(on)MAX	ID
20 V	20mΩ @ 4.5V	6.5A
	25mΩ @ 2.5V	
	30mΩ @ 1.8V	

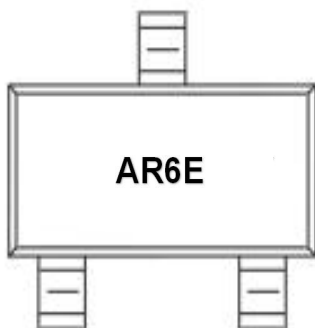
FEATURE

※ TrenchFET Power MOSFET

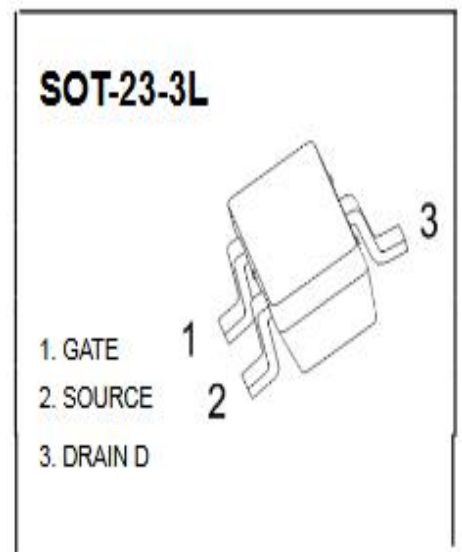
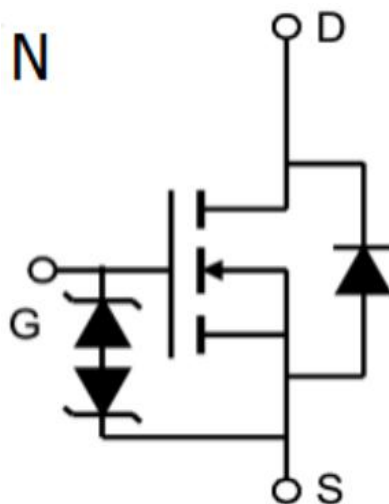
APPLICATION

- ※ Load Switch for Portable Devices
- ※ DC/DC Converter

MARKING



Equivalent Circuit



Maximum ratings (Ta=25°C unless otherwise noted)

Parameter	Symbol	Value	Unit
Drain-Source Voltage	VDS	20	V
Gate-Source Voltage	VGS	±8	
Continuous Drain Current	ID	6.5	A
Pulsed Diode Current	IDM	15	
Continuous Source-Drain Current(Diode Conduction)	IS	0.8	
Power Dissipation	PD	1.4	W
Thermal Resistance from Junction to Ambient (t≤5s)	RθJA	125	°C/W
Operating Junction	TJ	150	°C
Storage Temperature	TSTG	-55~+150	°C

MOSFET ELECTRICAL CHARACTERISTICS

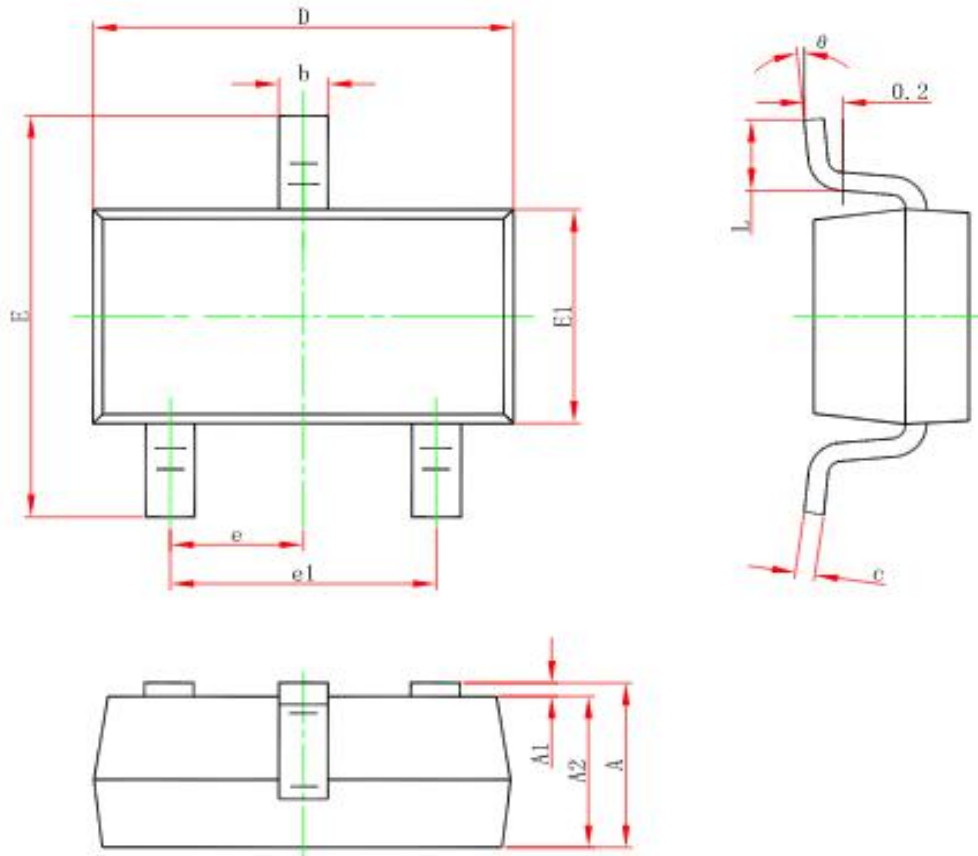
Static Electrical Characteristics (Ta = 25 °C Unless Otherwise Noted)

Parameter	Symbol	Test Condition	Min	Typ	Max	Unit
Static						
Drain-source breakdown voltage	V(BR)DSS	VGS = 0V, ID = 250μA	20			V
Gate-source threshold voltage	VGS(th)	VDS = VGS, ID = 250μA	0.4		1.1	V
Gate-source leakage	IGSS	VDS = 0V, VGS = ±8V			±10	μA
Zero gate voltage drain current	IDSS	VDS = 20V, VGS = 0V			1	μA
Drain-source on-state resistancea	RDS(on)	VGS = 4.5V, ID = 4A		17	20	mΩ
		VGS = 2.5V, ID = 2A		20	25	mΩ
		VGS = 1.8V, ID = 1A		25	34	mΩ
Forward transconductancea	gfs	VDS = 4.5V, ID = 4A		20		S
Diode forward voltage	VSD	IS=1.6A,VGS=0V		0.7	1.3	V
Dynamic						
Input capacitance	Ciss	VDS = 10V, VGS = 0V, f=1MHz		1160		pF
Output capacitance	Coss			104		pF
Reverse transfer capacitanceb	Crss			29		pF
Total gate charge	Qg	VDS = 10V, VGS = 4.5V, ID = 4A		10	13	nC
Gate-source charge	Qgs			1.4	1.82	nC
Gate-drain charge	Qgd			2.7	3.51	nC
Gate resistance	Rg	f=1MHz		6		Ω
Switchingb						
Turn-on delay time	td(on)	VDD= 10V RL=1.5Ω, ID ≈ 1A, VGEN= 4.5V,Rg=3Ω		6.2	12.4	ns
Rise time	tr			12.7	25.4	ns
Turn-off delay time	td(off)			51.7	103.4	ns
Fall time	tf			16	32	ns
Drain-source body diode characteristics						
Continuous Source-Drain Diode Current	IS	Tc=25°C			3.2	A

Note :

1. Repetitive Rating : Pulse width limited by maximum junction temperature.
2. Surface Mounted on FR4 Board, t < 5 sec.
3. Pulse Test : Pulse Width ≤ 300μs, Duty Cycle ≤ 2%.
4. Guaranteed by design, not subject to production testing.

SOT-23-3L PACKAGE OUTLINE DIMENSIONS



Symbol	Dimensions In Millimeters		Dimensions In Inches	
	Min.	Max.	Min.	Max.
A	1.050	1.250	0.041	0.049
A1	0.000	0.100	0.000	0.004
A2	1.050	1.150	0.041	0.045
b	0.300	0.500	0.012	0.020
c	0.100	0.200	0.004	0.008
D	2.820	3.020	0.111	0.119
E1	1.500	1.700	0.059	0.067
E	2.650	2.950	0.104	0.116
e	0.950(BSC)		0.037(BSC)	
e1	1.800	2.000	0.071	0.079
L	0.300	0.600	0.012	0.024
θ	0°	8°	0°	8°